

15 Amp Countertop Receptacles



Description	Finish	Color/Material	Surface Mount	Flush Mount
15A 125V Tamper-Resistant Pop-Up Kitchen Counter Receptacle, Rated for 20A circuits	Brushed	Aluminum	RCT200ALU	RCT201ALU
		Brass	RCT200BR	RCT201BR
		Nickel	RCT200NI	RCT201NI
	Polished	Chrome	RCT200CH	RCT201CH
	Powder Coated	Bronze Matte	RCT200BZE	RCT201BZE
		Black Matte	RCT200BK	RCT201BK
		White Matte	RCT200W	RCT201W



RCT200BK

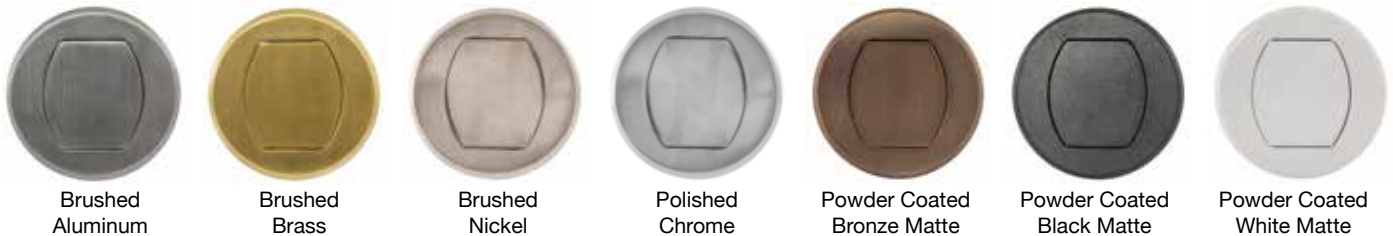
20 Amp Countertop Receptacles



Description	Finish	Color/Material	Surface Mount	Flush Mount
20A 125V Tamper-Resistant Pop-Up Kitchen Counter Receptacle.	Brushed	Aluminum	RCT220ALU	RCT221ALU
		Brass	RCT220BR	RCT221BR
		Nickel	RCT220NI	RCT221NI
	Polished	Chrome	RCT220CH	RCT221CH
	Powder Coated	Bronze Matte	RCT220BZE	RCT221BZE
		Black Matte	RCT220BK	RCT221BK
		White Matte	RCT220W	RCT221W



RCT221ALU



Brushed Aluminum

Brushed Brass

Brushed Nickel

Polished Chrome

Powder Coated Bronze Matte

Powder Coated Black Matte

Powder Coated White Matte

Specifications

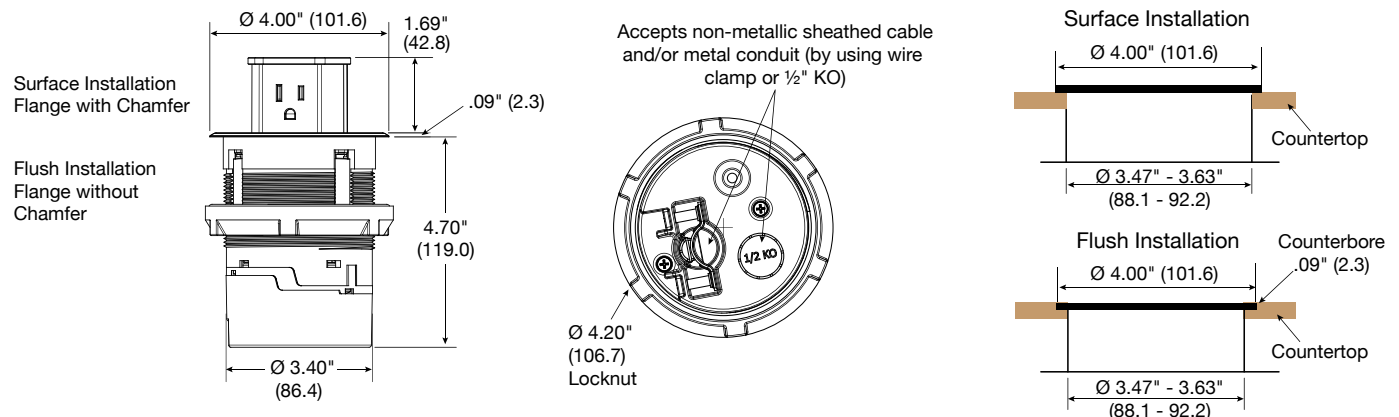
Performance

Configuration	15/20 amp 125 volt, tamper-resistant receptacle
Circuit Rating	20 amp non-feed through
Listings	cULus Listed to UL498, Section 145 Mechanical Load Test, 146 Spill Test
Dielectric Voltage	Withstands 2,000V minimum
Terminal Accommodation	#14-#12 AWG copper stranded or solid conductor only
Terminal Identification	Terminals identified in accordance with UL 498 and CSA
Flammability	UL 94V-2
Operating Temperature	Maximum continuous 75°C, minimum -40°C (w/o impact)

Materials

Cover and Flange	Die cast aluminum
Main Body	Engineered thermoplastic PBT
Wiring Chamber	Die cast aluminum
Water Seals	Elastomers and silicon

Dimensions



Note: Recommended to be fed by a GFCI circuit, up to 20 Amp Service.

Dimensions in Inches (mm)